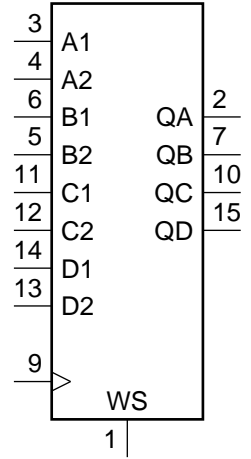
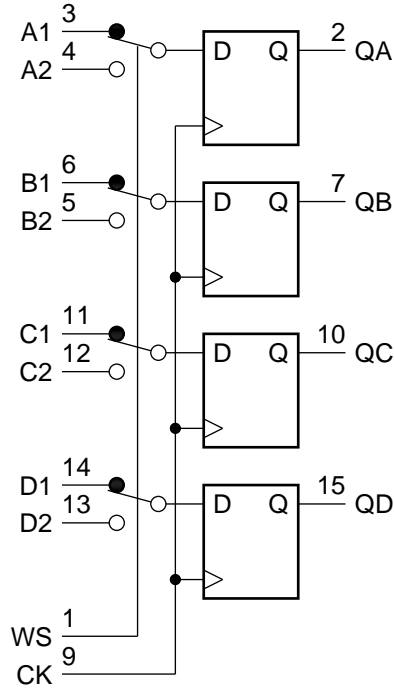
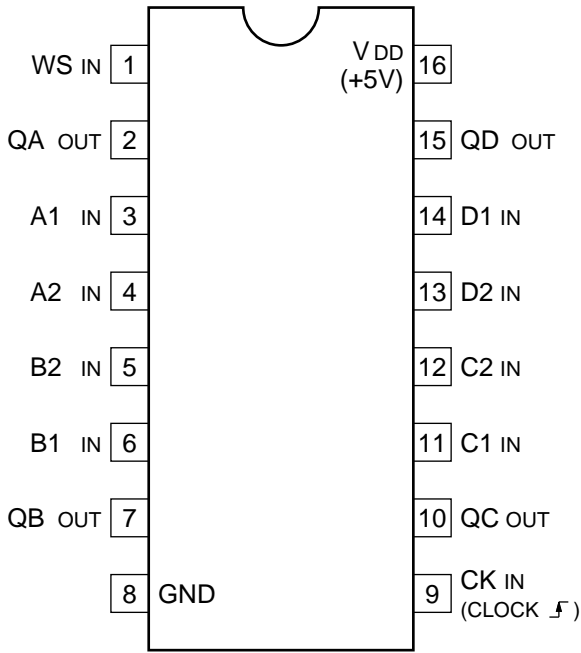


\*\*\*\*\*

C-MOS QUAD 2-PORT REGISTER  
- TOP VIEW -



WS : WORD SELECT

| INPUTS |     | OUTPUTS |     |     |     |
|--------|-----|---------|-----|-----|-----|
| WS     | CK  | QA      | QB  | QC  | QD  |
| 0      | $f$ | A1      | B1  | C1  | D1  |
| 1      | $f$ | A2      | B2  | C2  | D2  |
| X      | 0   | QA0     | QB0 | QC0 | QD0 |

1 ; HIGH LEVEL  
0 ; LOW LEVEL  
X ; DONT CARE